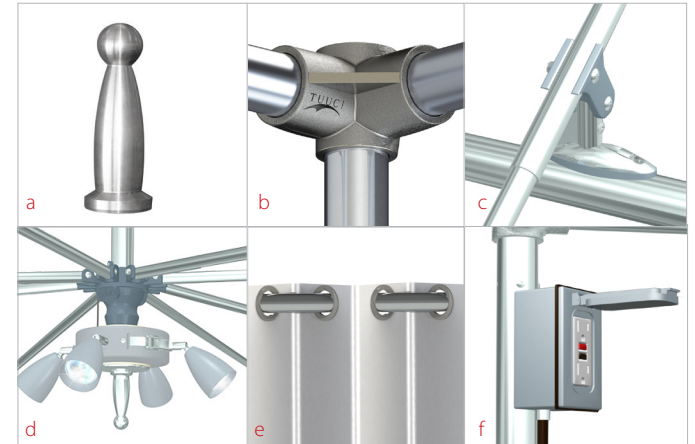


atlantis cabana



Adding a dramatic sense of style to any setting has never been easier. The Atlantis Cabana is an impressive combination of TUUCI's distinctive style and customary utility. Topped with a vector vent and flanked with ample drapes in high-performance marine-grade fabric, the Atlantis is built with an Armor-Wall™ aluminum marine alloy frame. It can be secured directly to a deck or in portable bases to create the perfect temporary or permanent outdoor room.



features:

- a. Venice Aluminum Finial
- b. Armor-Wall Mast
- c. Reinforced Strut Joints
- d. Aluminum Construction w/ Stainless Steel Components
- e. Stainless Steel Curtain Rings, Grommets and Clips
- f. Optional Pre-Wired Junction Box

shapes & sizes



square

ft. / m.
 8.0' / 2.45
 9.0' / 2.75
 **10.0' / 3.0
 **11.0' / 3.4



rectangle

ft. / m.
 **8' x 12' / 2.45 x 3.65

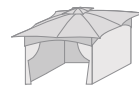
side wall option / curtains



accent curtains



full curtains



tensioned fabric walls



tensioned fabric walls with windows



1 tensioned back wall & full curtains

**includes highwind stabilizers

global headquarters
 2900 NW 35th Street, Miami, FL 33142 USA | 305.634.5116 | info@tuuci.com

european office
 Nedervonder 17, 5061 JP Oisterwijk, The Netherlands | +31.13.522.0471 | info@tuuci.eu

tuuci.com