

premium

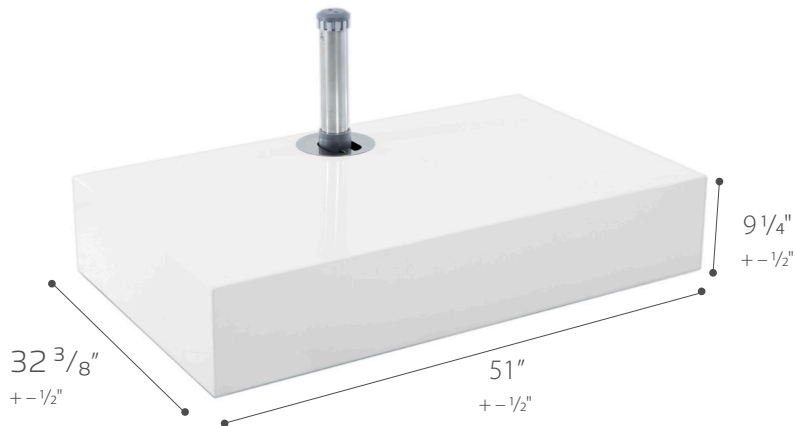
half

aluma-crete cube anchors

galvanized steel frame with stone pavers

	BASE-AGSP2		BASE-AGSP2		BASE-AGSP2	
	6 pavers		8 pavers		8 pavers + 2 GVS plates	
<p>pavers / 60 lbs each</p>	360 lbs	163 kgs	480 lbs	218 kgs	480 lbs	218 kgs
<p>half frame</p>	65 lbs	29 kgs	65 lbs	29 kgs	65 lbs	29 kgs
<p>GVS plate 60 lbs each</p>	N/A	N/A	N/A	N/A	60 lbs	27 kgs
<p>half aluma cube cover</p>	15 lbs	7 kgs	15 lbs	7 kgs	15 lbs	7 kgs
<p>Total base weight tolerance + - 10 lbs.</p>	440 lbs	200 kgs	560 lbs	254 kgs	680 lbs	308 kgs

available in powdercoat:



length x width x height

in. cm.

51 x 32.38 x 9.25 / 129.5 x 82.2 x 23.5