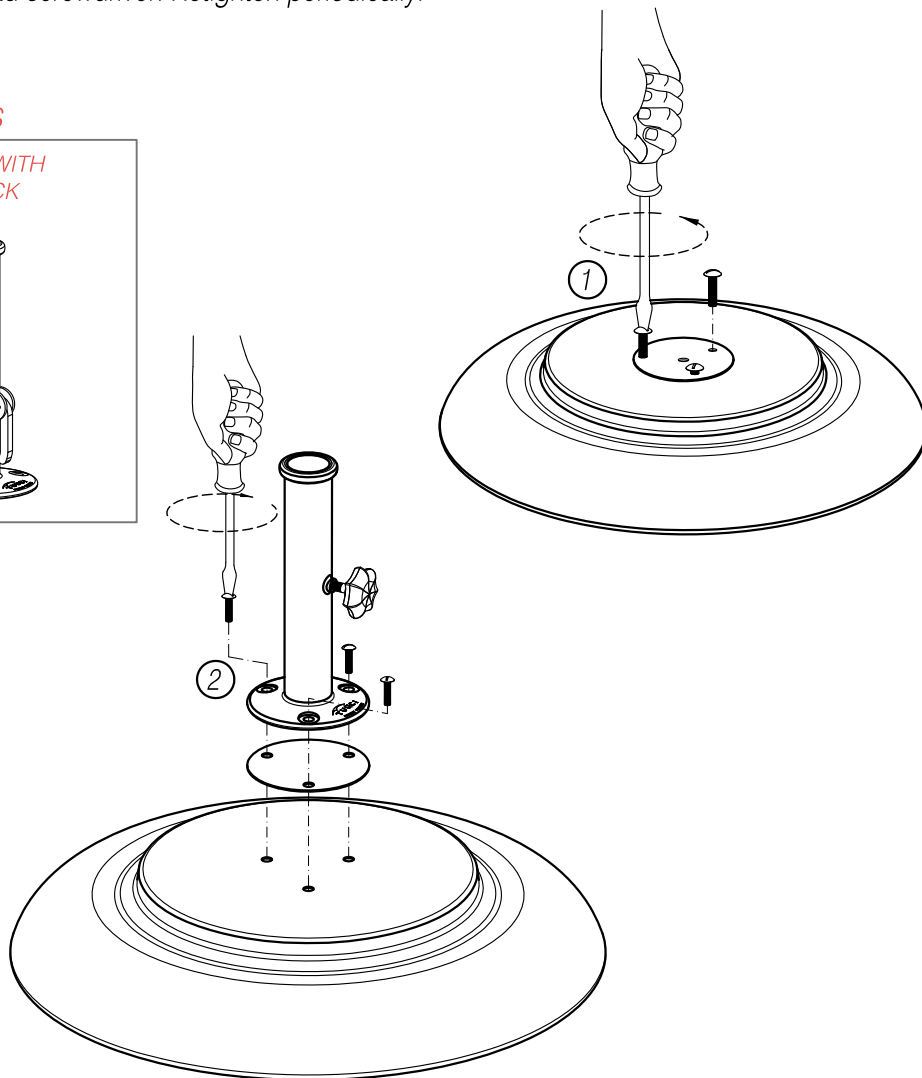
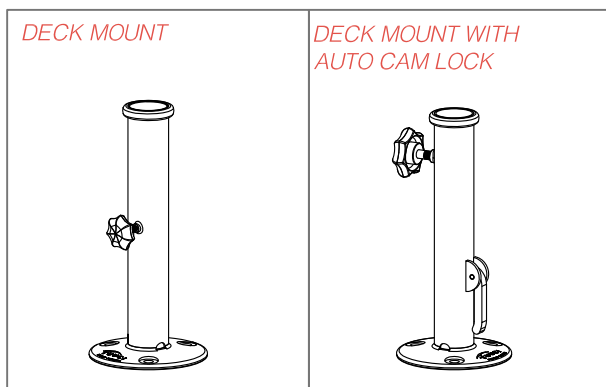


# ASSEMBLY INSTRUCTIONS

ALUMINUM CONCRETE FILLED (ACF)  
BASE WITH SECURITY SLEEVE

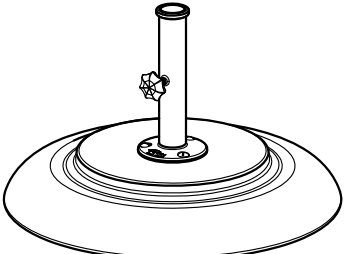
- ① Unscrew 3 screws (3/8"-16) from center of ACF BASE.
- ② Align 3 holes in DECK MOUNT to the ACF BASE. Then tighten securely all 3 screws (3/8"-16) with flat head screwdriver. Retighten periodically.

## DECK MOUNT OPTIONS



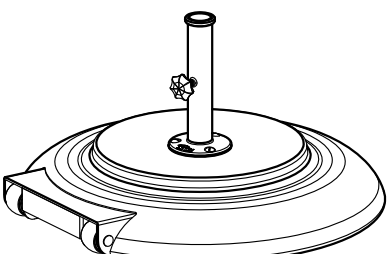
## ALUMA-CRETE ROUND ANCHOR OPTIONS

ALUMA-CRETE



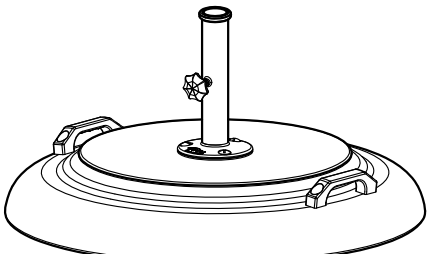
<b>WEIGHT</b>	<b>DIAMETER</b>
65 lbs / 30 kgs	20" / 51 Cm
95 lbs / 44 kgs	24" / 61 Cm
150 lbs / 70 kgs	28" / 71 Cm

ALUMA-CRETE WITH TUFF-WHEELS



<b>WEIGHT</b>	<b>DIAMETER</b>
65 lbs / 30 kgs	20" / 51 Cm
95 lbs / 44 kgs	24" / 61 Cm
150 lbs / 70 kgs	28" / 71 Cm

ALUMA-CRETE WITH LIFT HANDLES



<b>WEIGHT</b>	<b>DIAMETER</b>
200 lbs / 92 kgs	30" / 76 Cm
250 lbs / 133 kgs	33" / 84 Cm

### global headquarters

2900 NW 35th Street  
Miami, FL 33142 USA  
Version date: 04/01/2013 - REV: C

t 305.634.5116  
f 305.634.5119

info@tuuci.com  
www.tuuci.com

