

# Installation Instructions

Concrete pad mount and MAX security stem with 1/2" concrete drop-in anchors

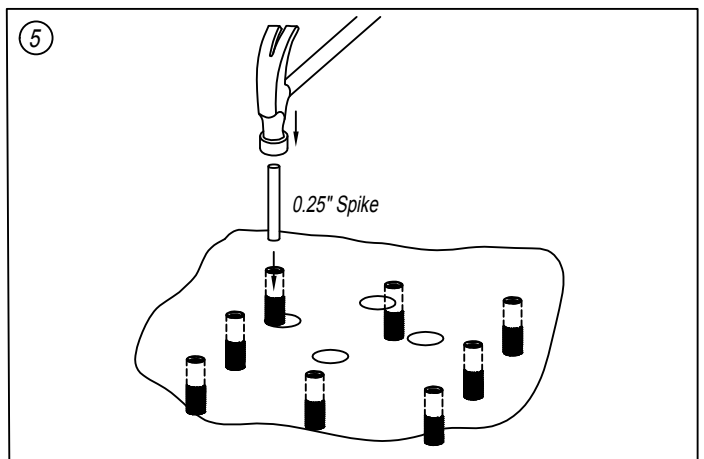
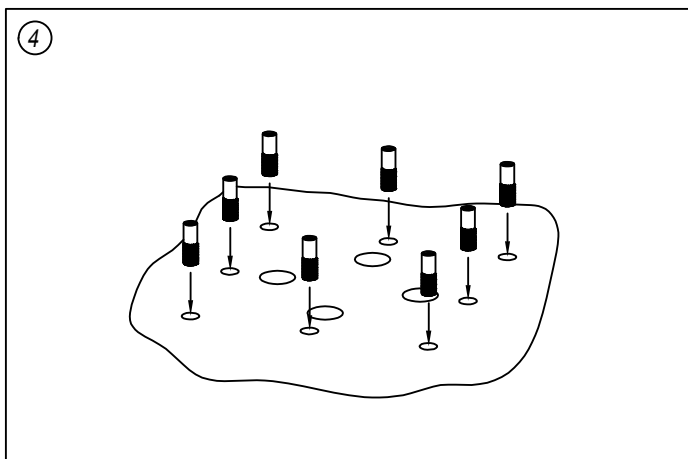
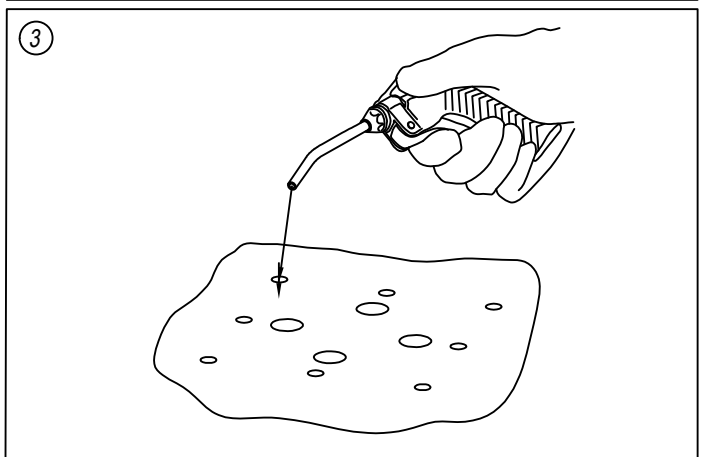
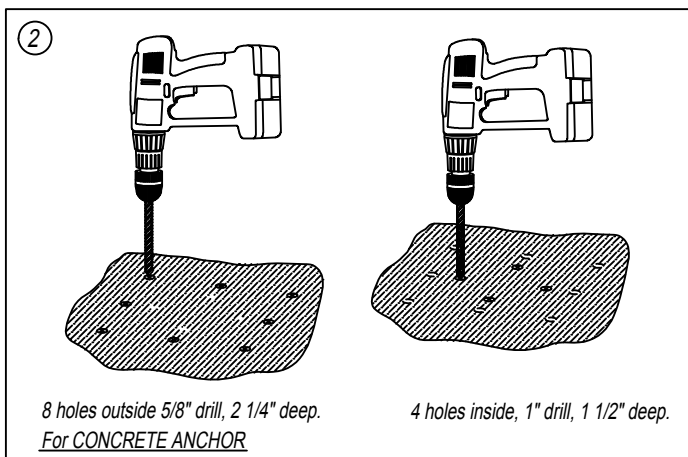
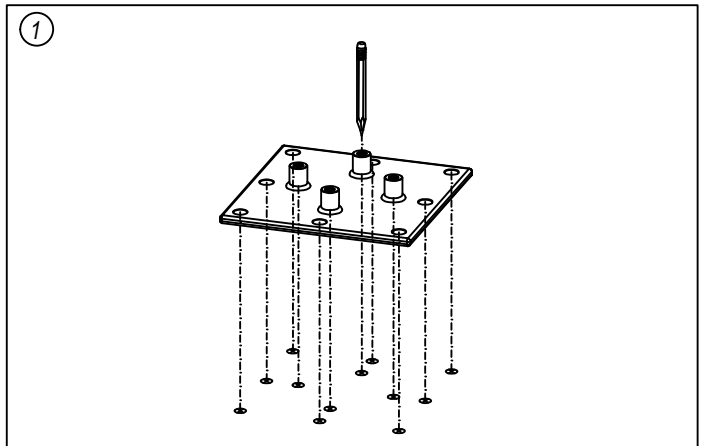
## Concrete and Anchor Installation Requirements

Anchor Type: 1/2"-16 threaded drop-in concrete anchors

For proper installation to achieve maximum holding load of anchors:

- Minimum 4000 PSI concrete strength
- 4" minimum concrete thickness required
- Minimum edge distance 3.5"

- ① Turn concrete pad mount upside down then with a pencil mark the outside 8 hole pattern as well as the 4 hole inside pattern on concrete deck.
- ② Use a 5/8" diameter drill bit. Drill 8 holes outside perpendicular to the work surface: To assure full holding power, do not ream the hole or allow the hammer drill to wobble. Hole depth must be 2 1/4".  
Use a 1" diameter drill bit. Drill 4 holes inside with 1 1/2" Depth.
- ③ Clean the hole using dry compressed air and a clean wire brush. Dust and debris left in hole will significantly reduce the holding capacity of the anchor.
- ④ Insert "Drop in" anchors.
- ⑤ Hammer open flange on "Drop in" anchors.



global headquarters

2900 NW 35th Street  
Miami, FL 33142 USA

Version date: 2016-01-05 Page 1 of 2

t 305.634.5116  
f 305.634.5119

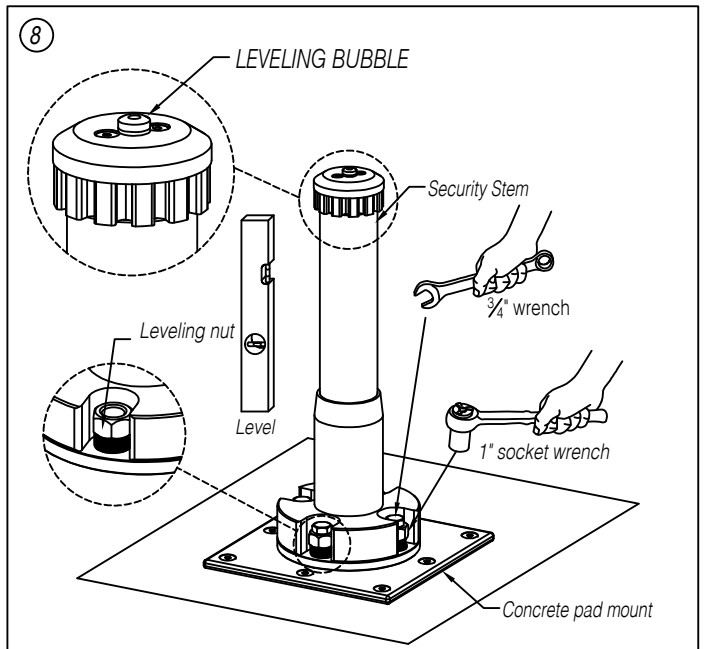
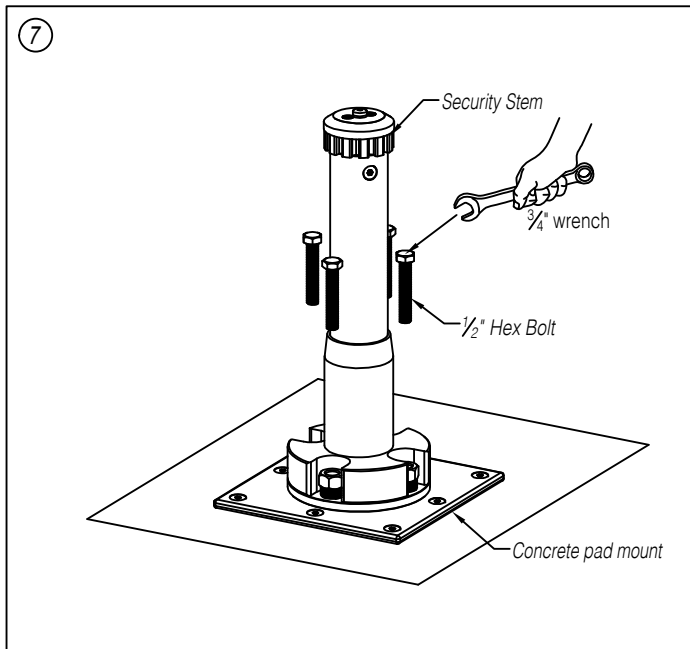
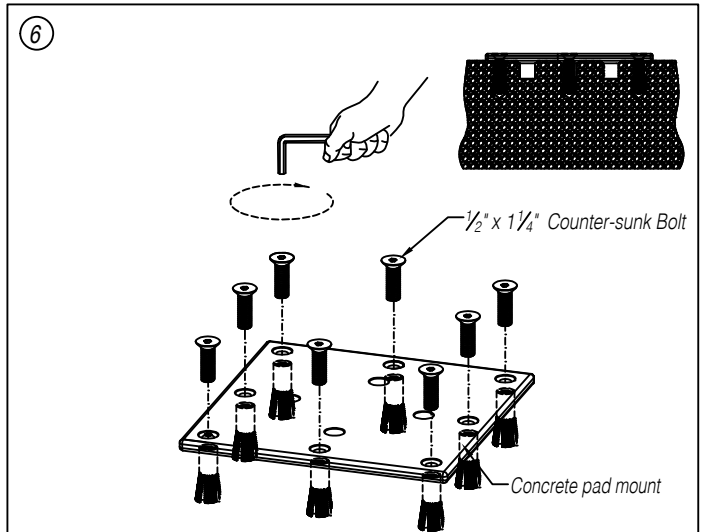
info@tuuci.com  
www.tuuci.com

**TUUCI**  
made in miami

# Installation Instructions

Concrete pad mount and MAX security stem with 1/2" concrete drop-in anchors

- ⑥ Install concrete pad mount by using eight 1/2" x 1 1/4" counter-sunk bolts. Make sure to tighten all eight 1/2" x 1 1/4" counter-sunk bolts securely.
- ⑦ Place security stem on the bottom plate and insert the four hex bolts 1/2" into the leveling nuts. Screw the bolts into the CONCRETE PAD MOUNT, but DO NOT TIGHTEN the bolts.
- ⑧ Check security stem post with a level in 2 positions with each position 90° from each other. To level the post, turn the leveling nut clockwise until level with a 1" socket wrench, (Use the LEVELING BUBBLE as a guide to better adjust the level of the SECURITY STEM). Repeat this step with all 4 leveling nuts until post is level in both directions. Tighten all four 1/2" hex bolts with 3/4" wrench securely.



global headquarters

2900 NW 35th Street  
Miami, FL 33142 USA

Version date: 2016-01-05 Page 1 of 2

t 305.634.5116  
f 305.634.5119

info@tuuci.com  
www.tuuci.com

**TUUCI**  
made in miami