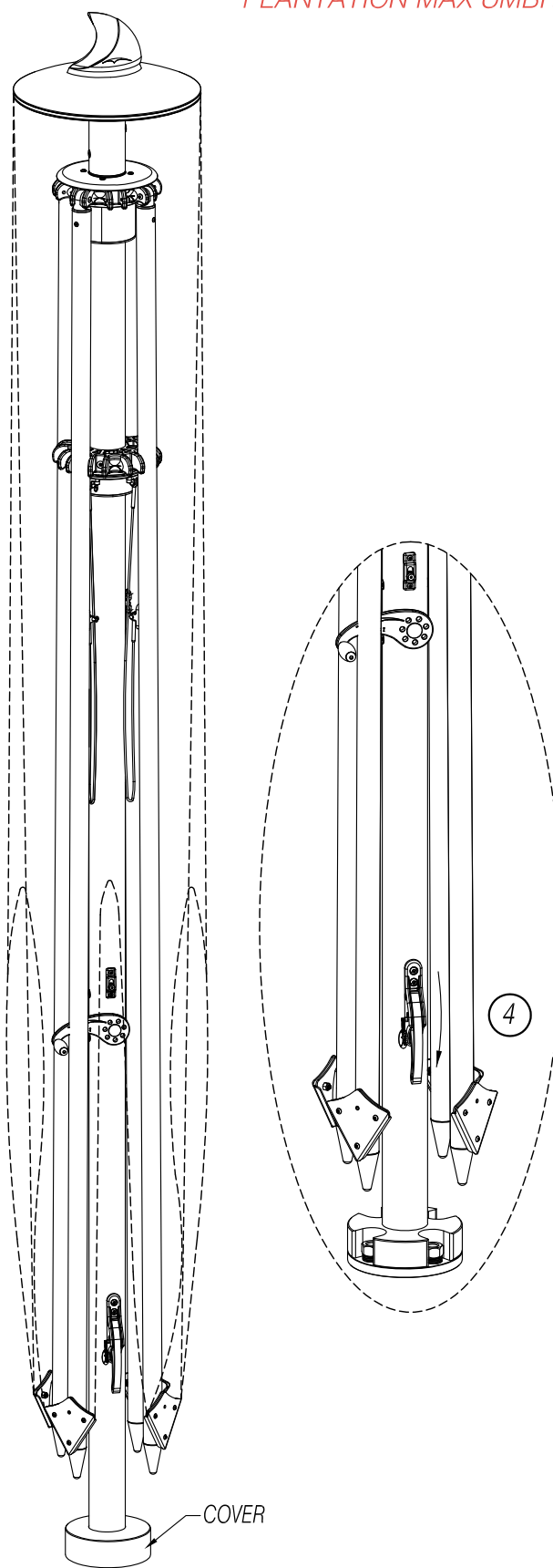
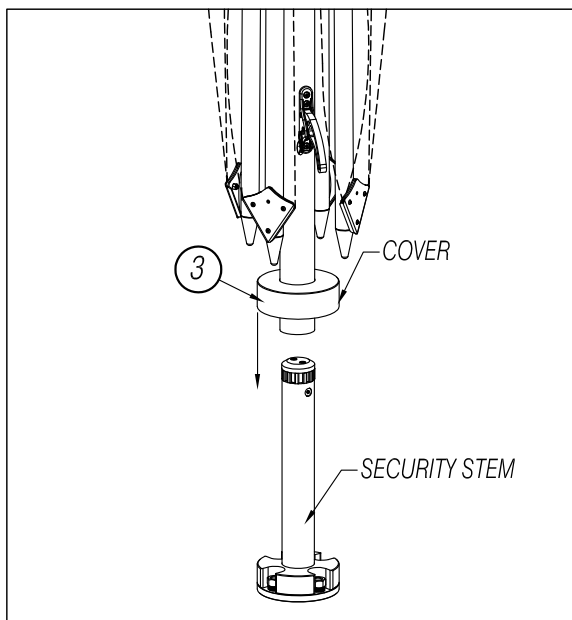
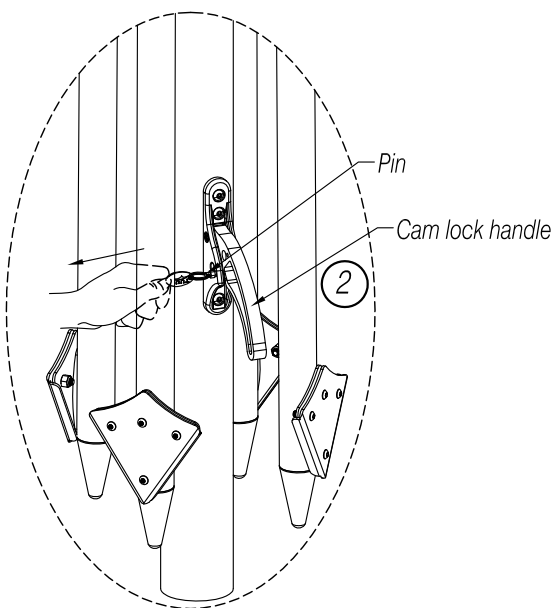


# OPERATING INSTRUCTIONS

F1 OCEAN MASTER MAX AND  
PLANTATION MAX UMBRELLA

- 1 Remove all packaging from umbrella, including inside the umbrella.
- 2 Pull pin to unlock cam lock handle. Make sure cam lock handle is open per drawing shown.
- 3 Insert cover on to mast. Place Umbrella in SECURITY STEM.
- 4 Push cam lock handle (per drawing shown) until engaged in the proper gear slot with the cam lock handle in the downward position.

*\* To rotate umbrella: Pull pin to unlock cam lock handle, pull handle up and turn umbrella to desired location. Lock cam lock handle down.*



## global headquarters

2900 NW 35th Street  
Miami, FL 33142 USA

t 305 634 5116  
f 305.634.5119

info@tuuci.com  
www.tuuci.com

Version date: 04/01/2013 - REV: C - Page 1 of 2

**TUUCI**  
made in miami

