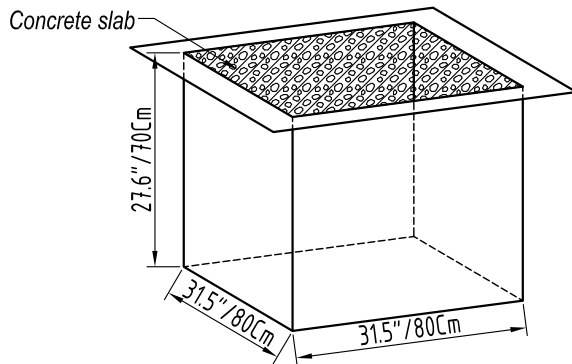


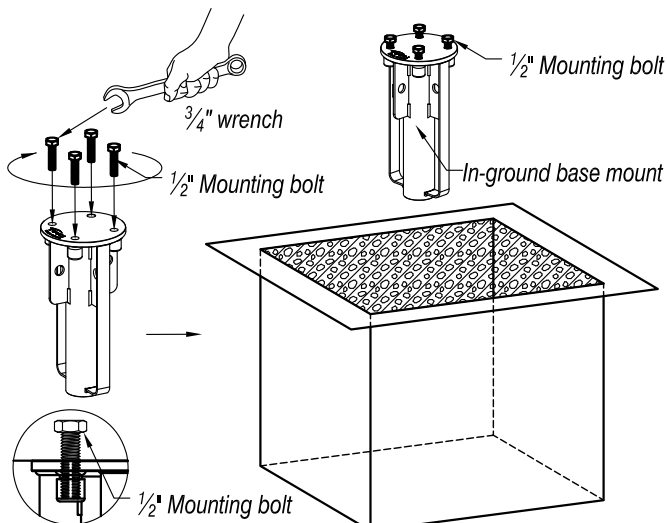
Installation Instructions

IN-GROUND SECURITY BASE

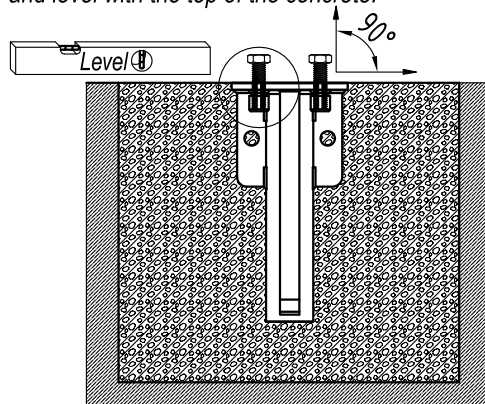
- ① Design concrete slab with dimensions of 31.5"(80cm) x 31.5"(80cm) x 27.6"(70cm).



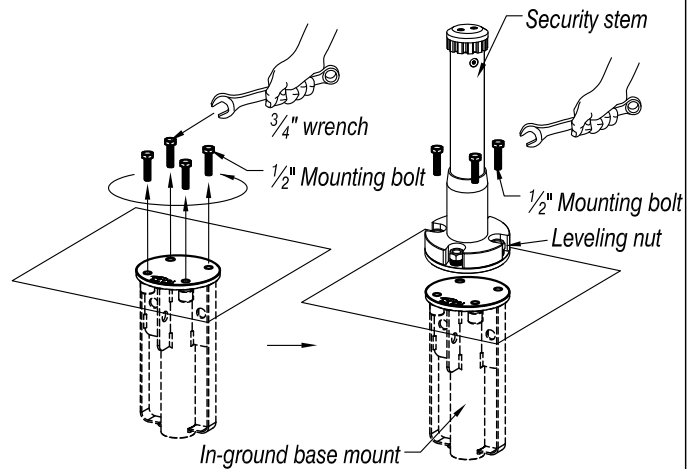
- ② Insert 4 x 1/2" mounting bolts with 3/4" wrench to in-ground base mount shown in the drawing. After pouring concrete, insert in-ground base mount into the center of the concrete slab.



- ③ Make sure the top of the in-ground base mount is flush and level with the top of the concrete.



- ④ Remove 4 x 1/2" mounting bolts by using 3/4" wrench turning counterclockwise. Place the security stem on the in-ground base mount and reinsert the 4 mounting bolts into the leveling nuts. Screw the mounting bolts into the in-ground base mount, but DO NOT TIGHTEN the bolts completely.



- ⑤ Check the security stem with a level in 2 positions with each positioned 90° from each other. To level the security stem turn the leveling nut clockwise until level. Repeat this step with all 4 leveling nuts until the security stem is leveled to the in-ground base mount. Tighten all 4 mounting bolts securely with 3/4" wrench.

