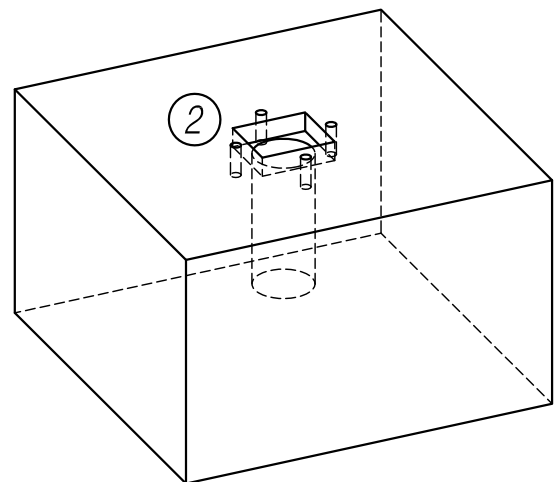
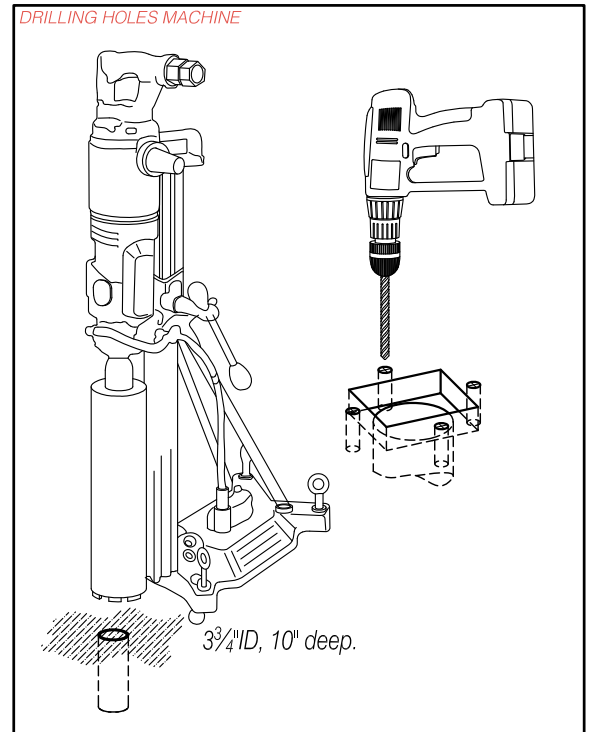
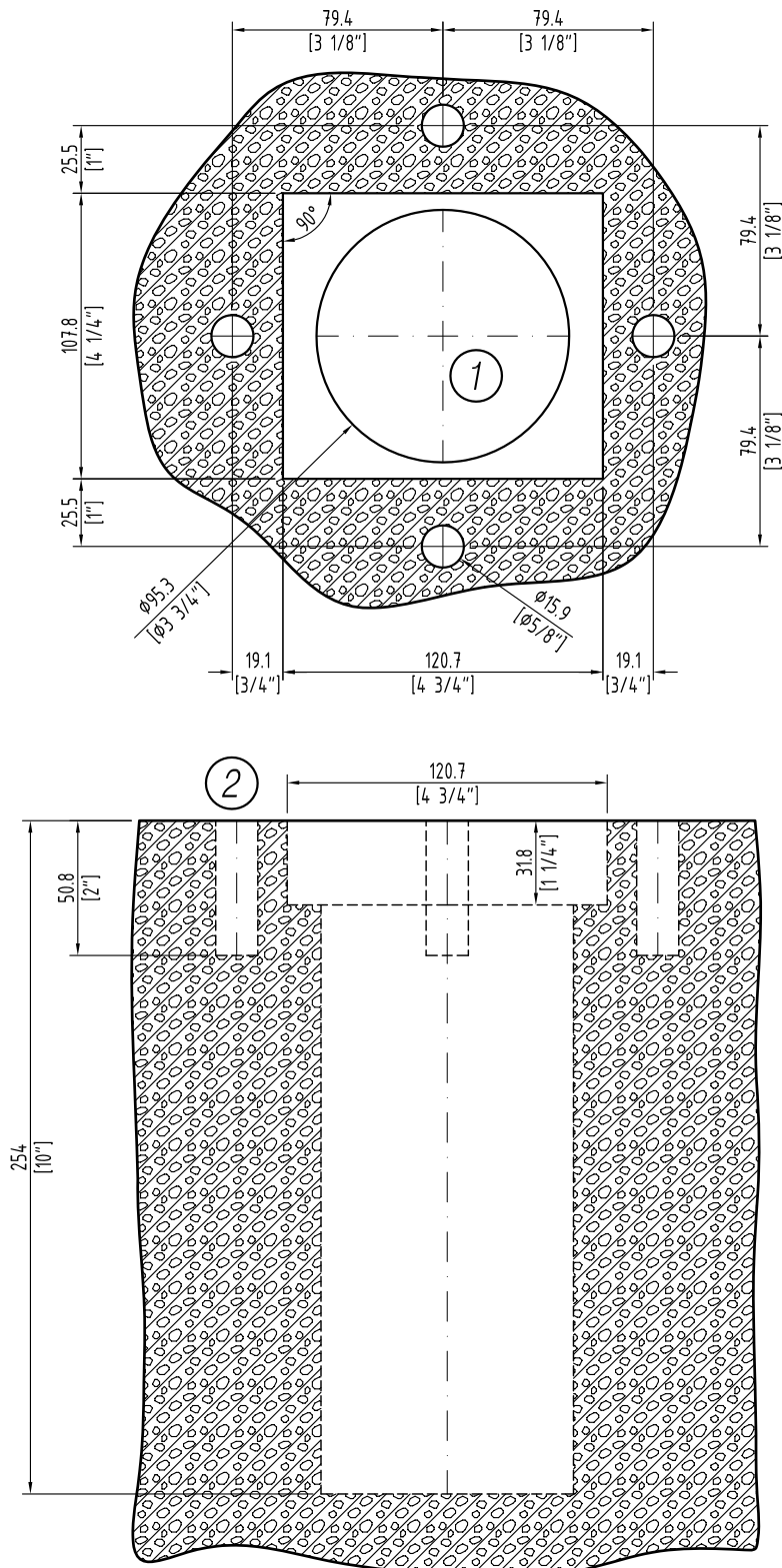


Installation Instructions

OCEAN MASTER MAX (OMX) - FLUSH MOUNT INSTALLATION IN CONCRETE

- 1 Draw a pattern on concrete exactly like the drawing.
- 2 Drill holes on concrete as per the drawing is shown.



global headquarters

2900 NW 35th Street
Miami, FL 33142 USA

t 305.634.5116
f 305.634.5119

info@tuuci.com
www.tuuci.com

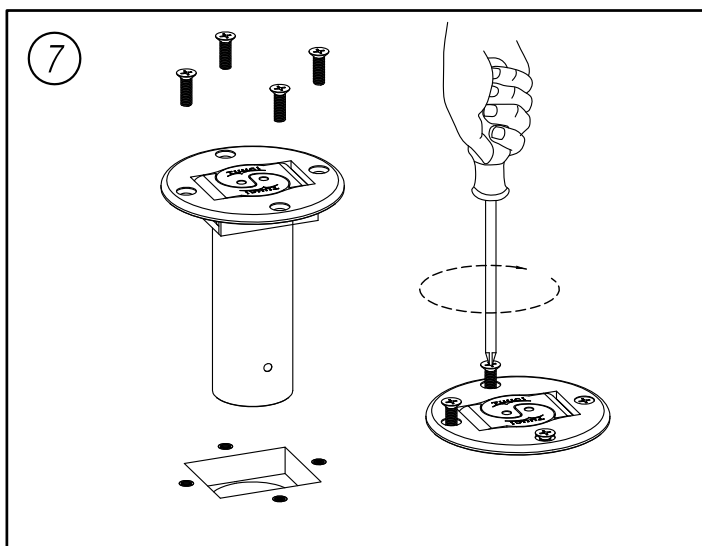
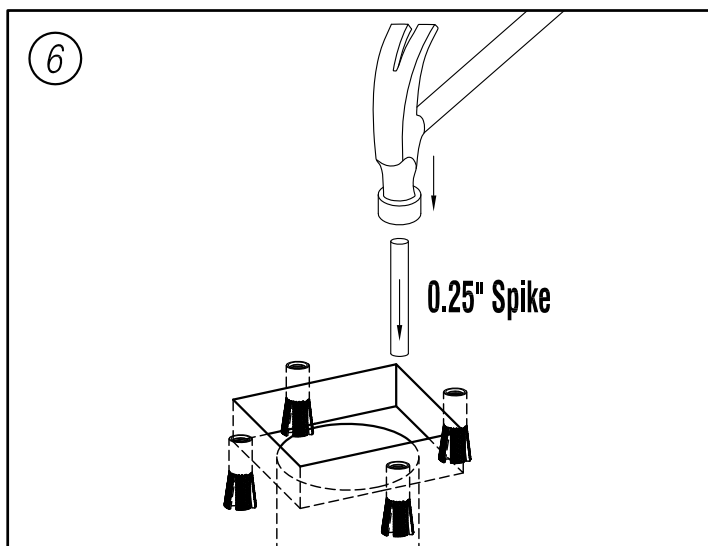
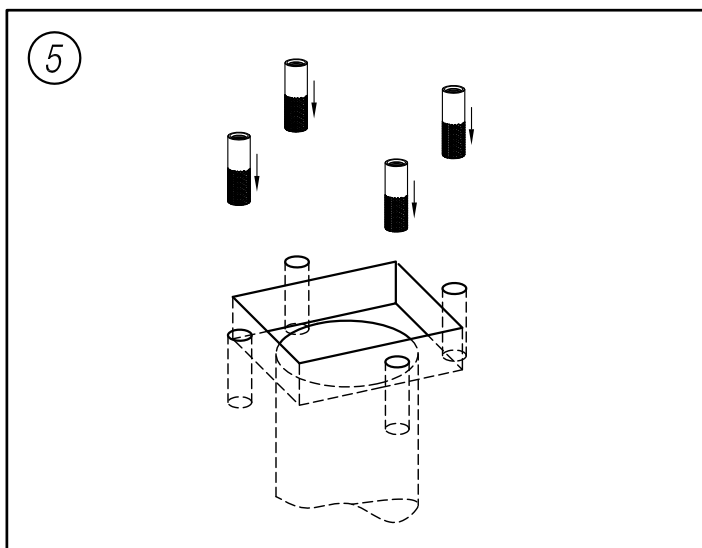
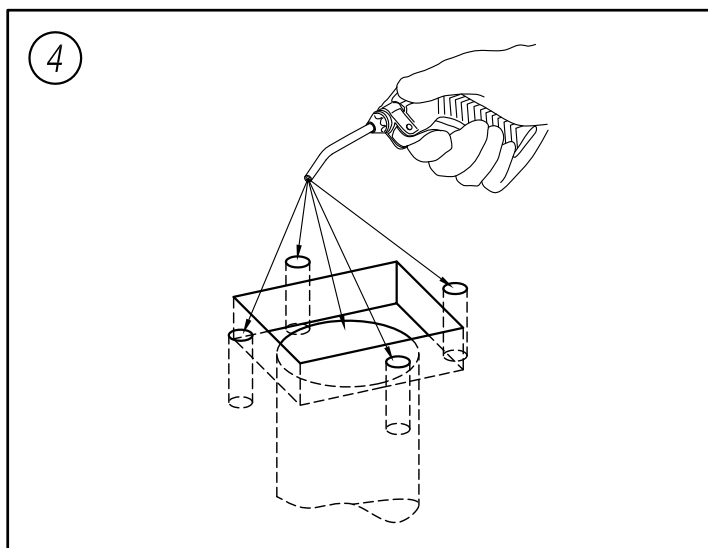
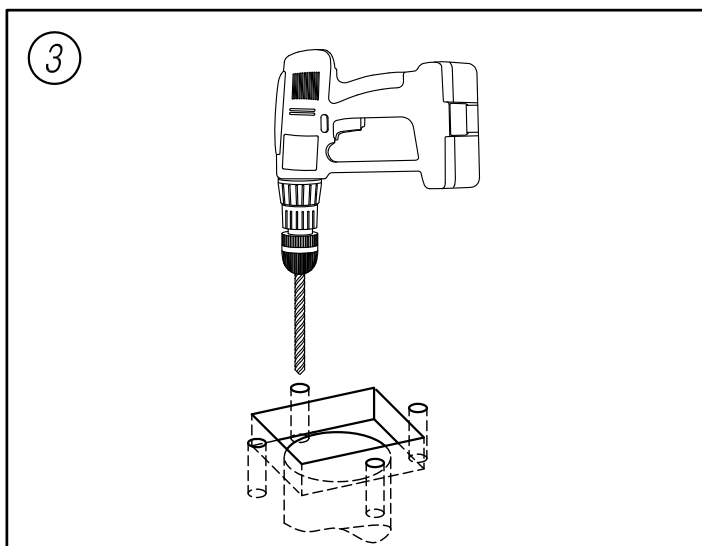
Version date: 04/01/2013 - REV: C. Page 1 of 3

TUUCI
made in miami

Installation Instructions

OCEAN MASTER MAX (OMX) - FLUSH MOUNT INSTALLATION IN CONCRETE

- ③ Drill 4 holes in pattern 5/8" drill, 2" deep.
- ④ Clean the holes by using dry compressed air and a clean wire brush. Dust and debris left in hole will significantly reduce the holding capacity of the anchor.
- ⑤ Insert "Drop in" anchors.
- ⑥ Hammer open flange on "Drop in" anchors.
- ⑦ Install flush mount. Then securely tighten 4 screws (1/2"-13) with screwdriver. Retighten periodically.



global headquarters

2900 NW 35th Street
Miami, FL 33142 USA

t 305.634.5116
f 305.634.5119

info@tuuci.com
www.tuuci.com

Version date: 04/01/2013 - REV: C. Page 2 of 3

TUUCI
made in miami