

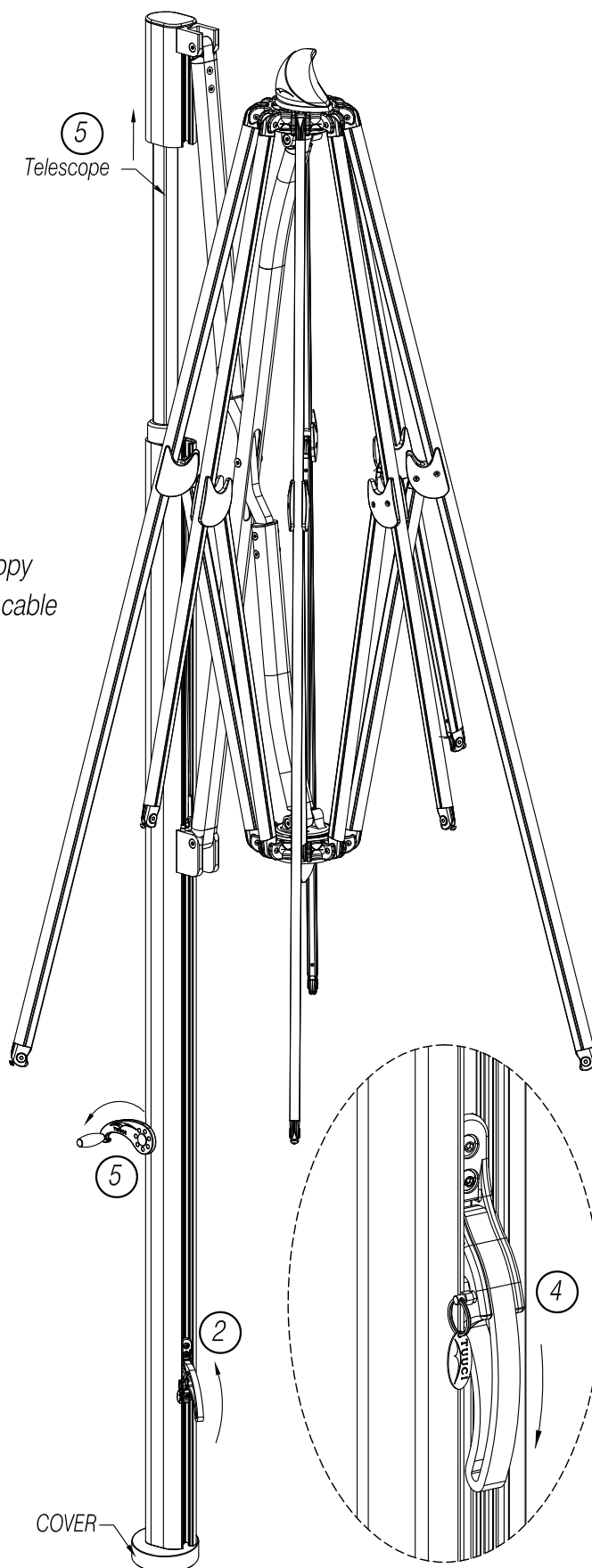
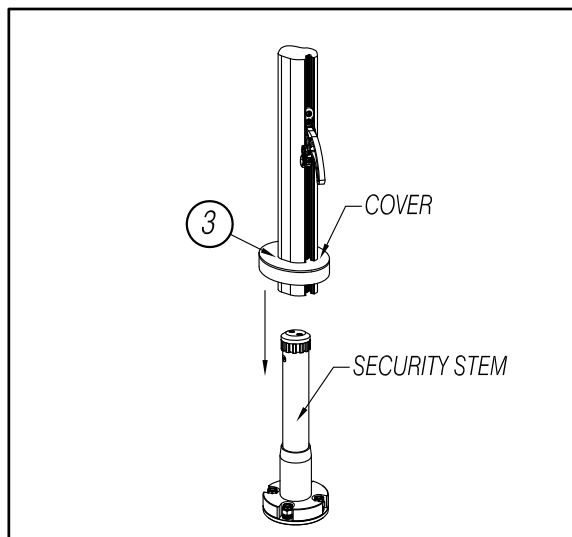
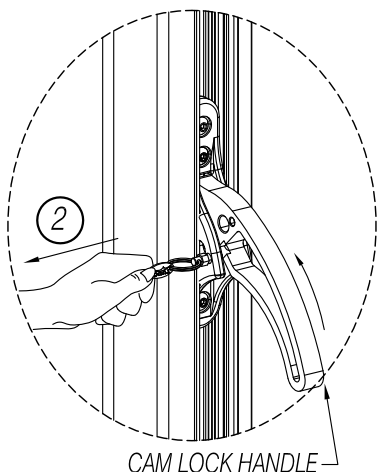
OPERATING INSTRUCTIONS

CANTILEVER UMBRELLA

- 1 Remove all packaging from umbrella, including inside the umbrella.
- 2 Pull pin to unlock cam lock handle. Make sure cam lock handle is open per drawing shown.
- 3 Insert cover on to mast. Insert mast into HALF ABOVE-GROUND BASE Place Umbrella in SECURITY STEM.
- 4 Push cam lock handle (per drawing shown) until engaged in the proper gear slot with the cam lock handle in the downward position.

** To rotate umbrella: Pull pin to unlock cam lock handle, pull up and turn umbrella to desired location. Lock cam lock handle down.*

- 5 Insert crank handle and open telescope by turning crank handle counterclockwise until it stops. The canopy and umbrella will remain closed. Keep tension on the cable as you crank in a counterclockwise position.



global headquarters

2900 NW 35th Street
Miami, FL 33142 USA

t 305 634 5116
f 305.634.5119

info@tuuci.com
www.tuuci.com

Version date: 04/01/2013 - REV: C - Page 1 of 2

TUUCI
made in miami

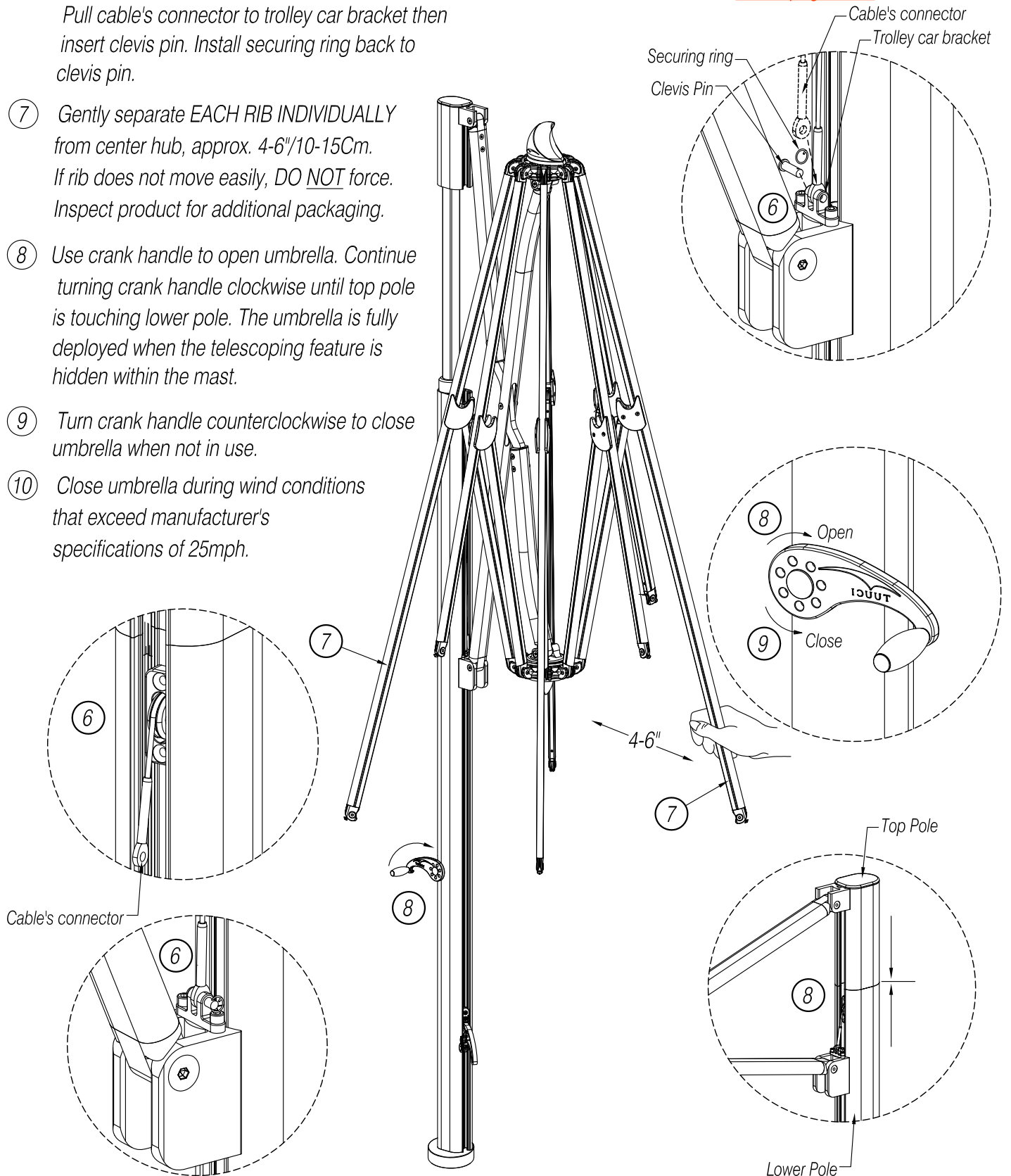
OPERATING INSTRUCTIONS

CANTILEVER UMBRELLA

Engage the telescoping feature:

- ⑥ Take out the securing ring from clevis pin. Pull cable's connector to trolley car bracket then insert clevis pin. Install securing ring back to clevis pin.
- ⑦ Gently separate EACH RIB INDIVIDUALLY from center hub, approx. 4-6"/10-15Cm. If rib does not move easily, **DO NOT** force. Inspect product for additional packaging.
- ⑧ Use crank handle to open umbrella. Continue turning crank handle clockwise until top pole is touching lower pole. The umbrella is fully deployed when the telescoping feature is hidden within the mast.
- ⑨ Turn crank handle counterclockwise to close umbrella when not in use.
- ⑩ Close umbrella during wind conditions that exceed manufacturer's specifications of 25mph.

Telescoping feature



global headquarters

2900 NW 35th Street
Miami, FL 33142 USA

t 305 634 5116
f 305.634.5119

info@tuuci.com
www.tuuci.com

Version date: 04/01/2013 - REV: C - Page 2 of 2

TUUCI
made in miami