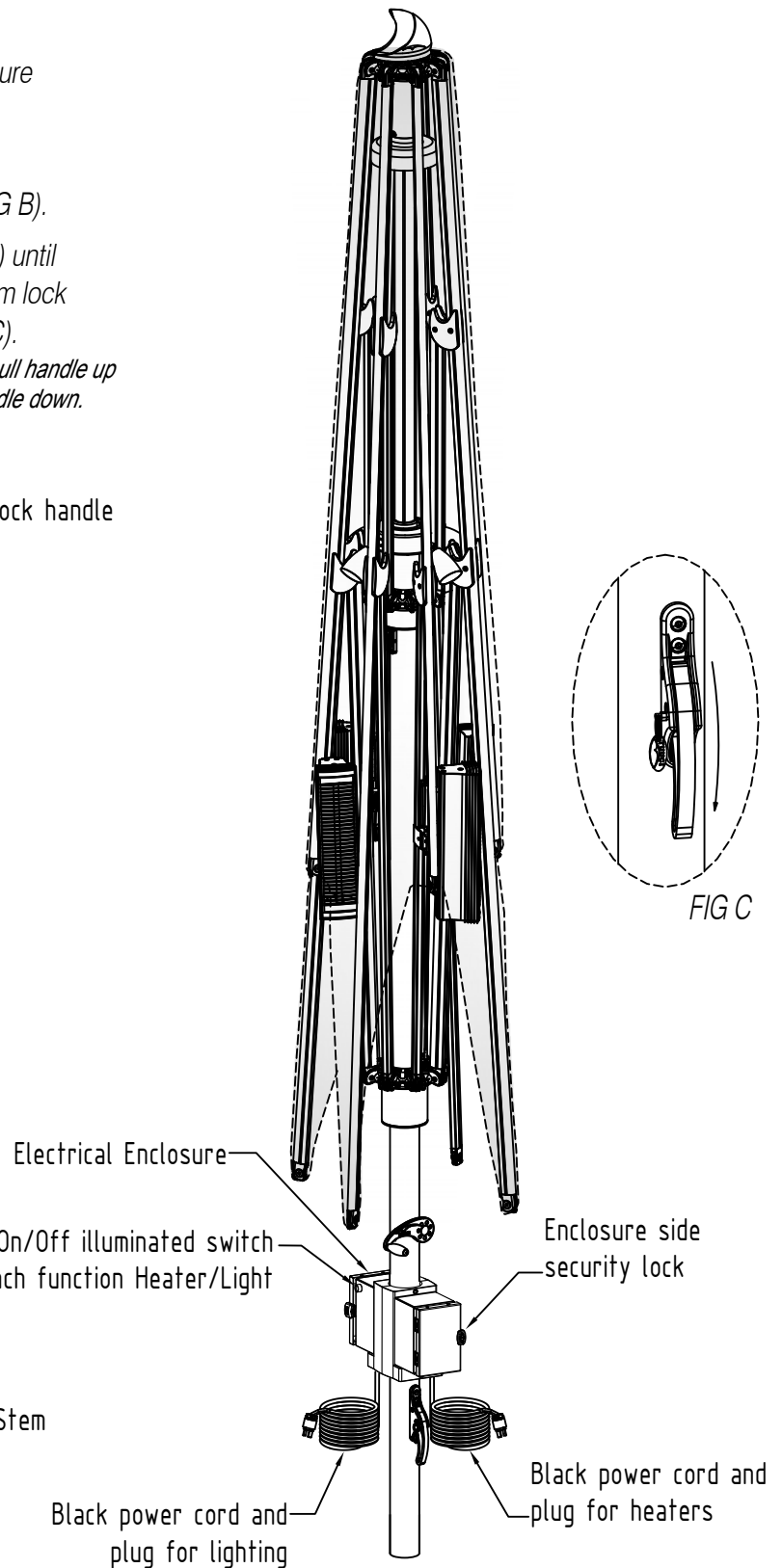
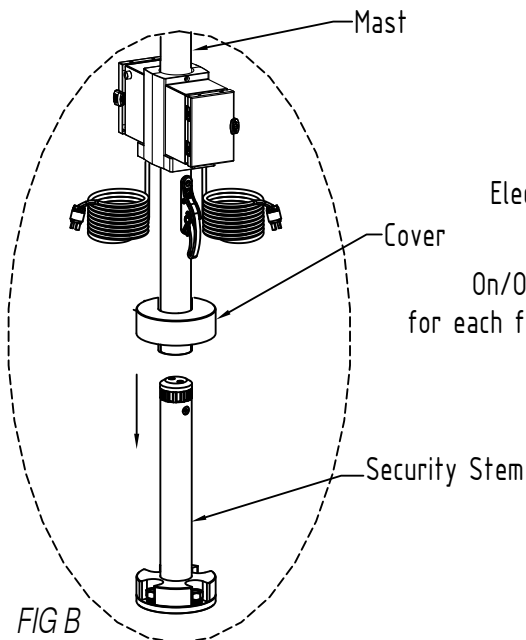
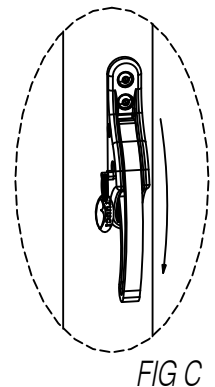
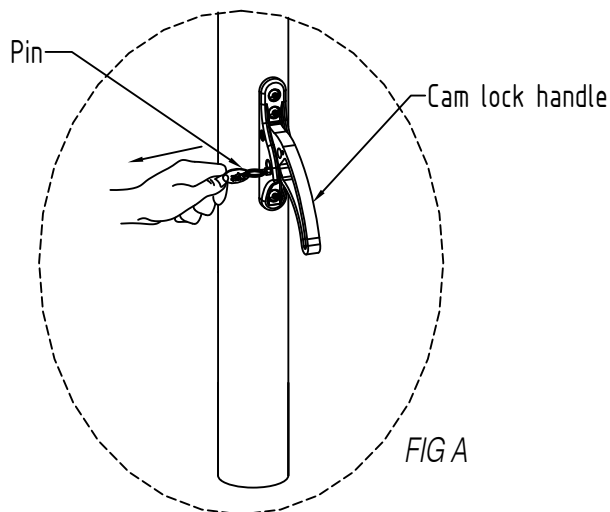


OPERATING INSTRUCTIONS

OCEAN MASTER MAX AND PLANTATION MAX
HEATING AND LIGHTING

- ① Remove all packaging from umbrella, including inside the umbrella.
- ② Pull pin to unlock cam lock handle. Make sure cam lock handle is open (see FIG A).
- ③ Insert cover on to mast. Place Umbrella in SECURITY STEM (see FIG B).
- ④ Push cam lock handle (per drawing shown) until engaged in the proper gear slot with the cam lock handle in the downward position (see FIG C).

* To rotate umbrella: Pull pin to unlock cam lock handle, pull handle up and turn umbrella to desired location. Lock cam lock handle down.



Global headquarters

2900 NW 35th Street
Miami, FL 33142 USA

t 305.634.5116
f 305.634.5119

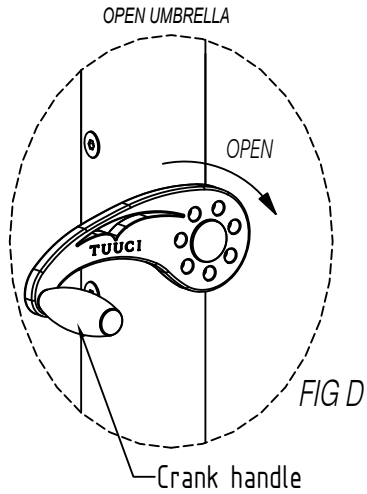
info@tuuci.com
www.tuuci.com



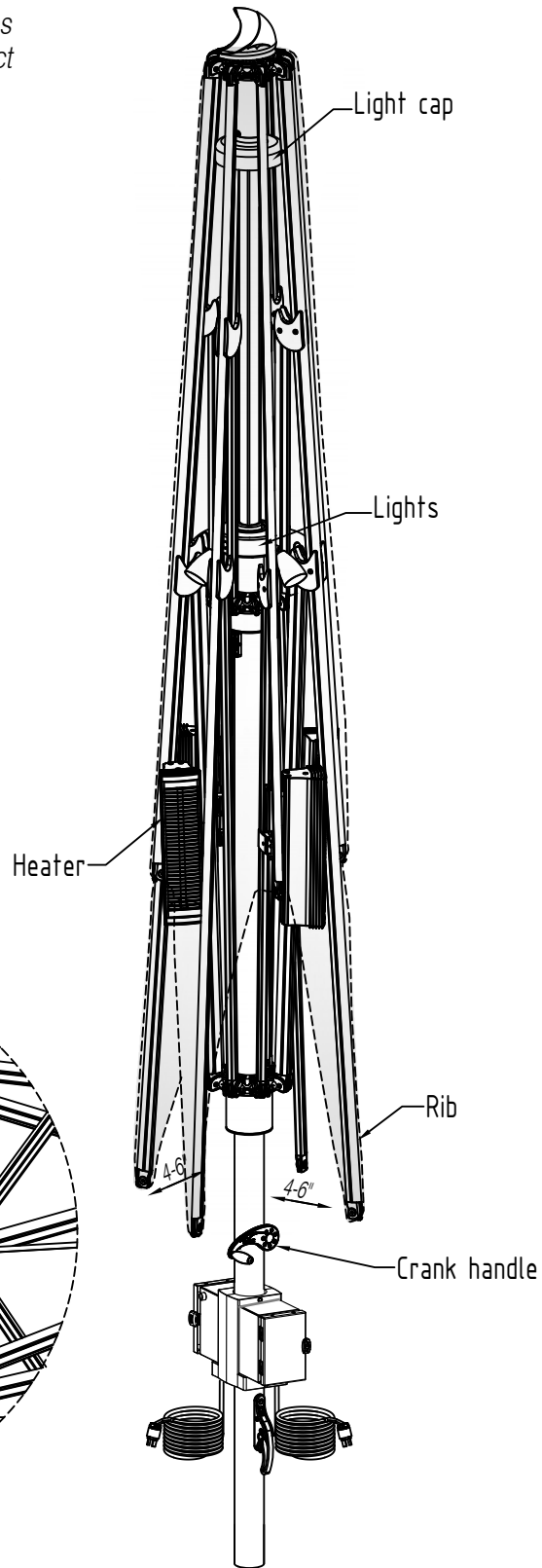
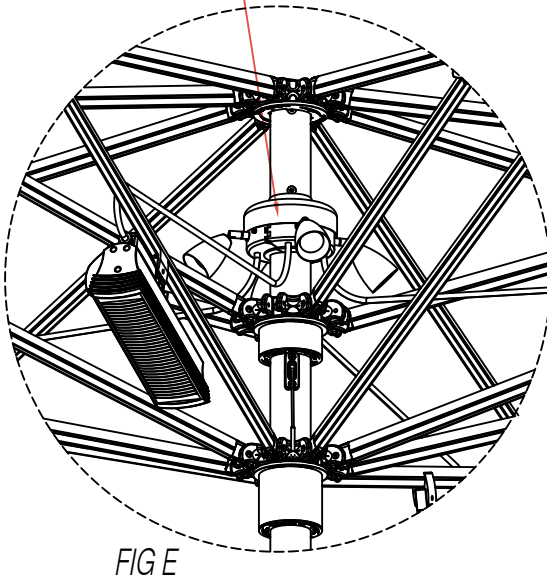
OPERATING INSTRUCTIONS

OCEAN MASTER MAX AND PLANTATION MAX HEATING AND LIGHTING

- 5 Gently separate EACH RIB INDIVIDUALLY from center post, approx. 10-12"/25-30cm. If rib does not move easily, DO **NOT** force. Inspect product for additional packaging.
- 6 Use crank handle to open umbrella. Continue turning crank handle clockwise until light cap is covered over the light (see FIG D & FIG E).



Light cap covered over the light



Global headquarters

2900 NW 35th Street
Miami, FL 33142 USA

t 305.634.5116
f 305.634.5119

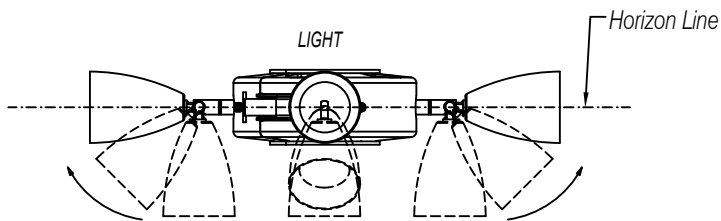
info@tuuci.com
www.tuuci.com



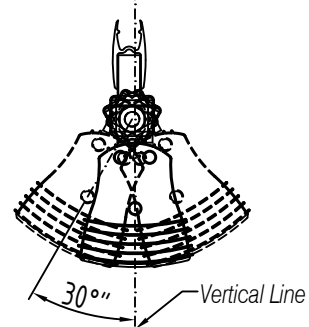
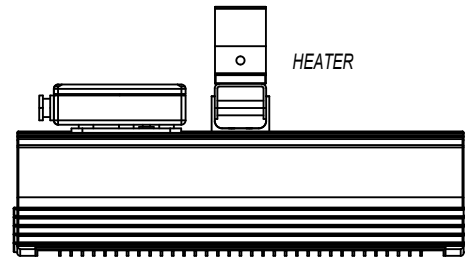
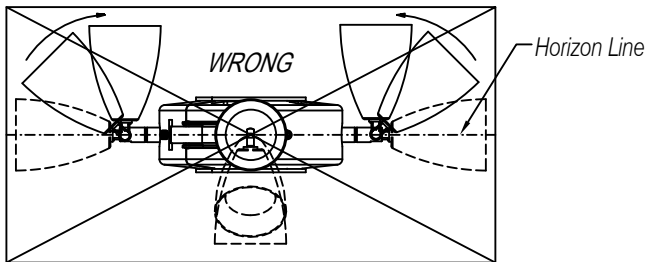
OPERATING INSTRUCTIONS

OCEAN MASTER MAX AND PLANTATION MAX HEATING AND LIGHTING

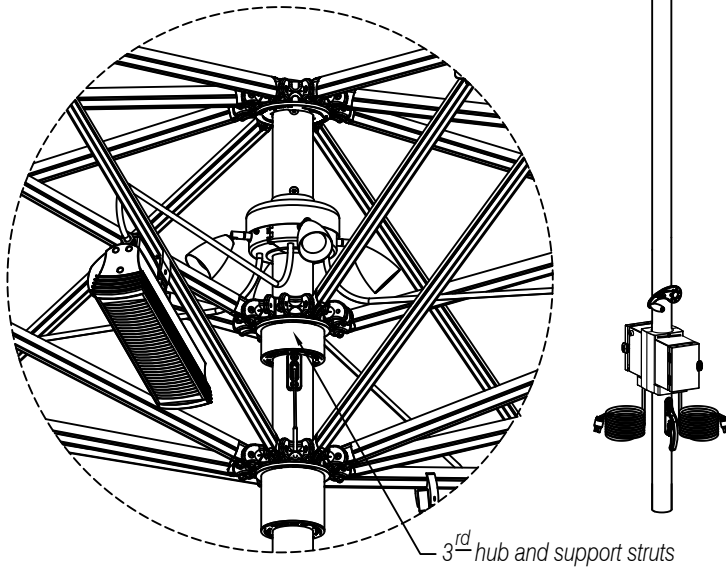
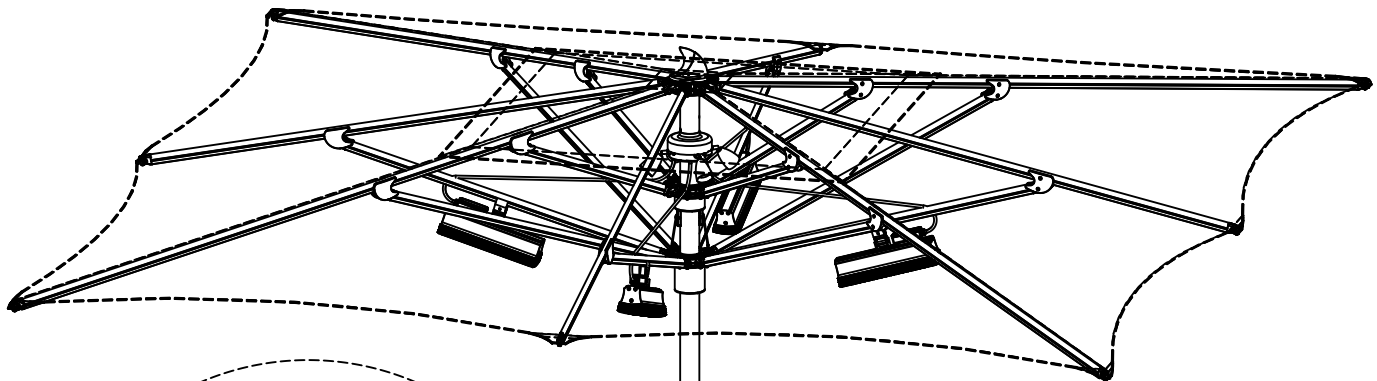
- ⑦ Adjust the lights and heaters as per the details shown on this page.



Adjust the lights 90° only. Do NOT adjust over horizon line



Adjust the heaters only 30° on each side.



Global headquarters

2900 NW 35th Street
Miami, FL 33142 USA

t 305.634.5116
f 305.634.5119

info@tuuci.com
www.tuuci.com



OPERATING INSTRUCTIONS

OCEAN MASTER MAX AND PLANTATION MAX
HEATING AND LIGHTING

- ⑧ Connect plug-in to power supply.
Turn on or off the light or heaters by using illuminated switch (see Page 1).

Umbrella should not be closed entirely until heaters have cooled down.

- ⑨ Close umbrella during wind conditions that
exceed manufacturer's specifications.

IMPORTANT NOTE: MAKE SURE THE HEATERS ARE COLD BEFORE CLOSING UMBRELLA.

Global headquarters

2900 NW 35th Street t 305.634.5116
Miami, FL 33142 USA f 305.634.5119

info@tuuci.com
www.tuuci.com

Version date: 06/11/2014 - REV:A - Page 4 of 6



OPERATING INSTRUCTIONS

OCEAN MASTER MAX AND PLANTATION MAX
HEATING AND LIGHTING


Heating & Lighting General Specifications

110V Lighting Specifications:

1. 110V, 1 phase with (4) 7 Watt LED bulbs (requires a minimum 10 amp circuit).
2. Titanium Color Housing
3. Each light is independently adjustable (tilts and rotates)
4. 4 LED bulb lamps supplied only with the 110V option:
Part Number: LED7GU10MR1627KFL
Description: LED 7W GU10 MR16 Flood (40 degree)
110Volt, 7Watts, 340 Lumens, 40° Beam Angle, 2700K CCT, 80 CRI
5. Umbrella comes with 10ft Power Cord & Plug (Use with 15 Amp, 125-volt, NEMA 5-15 Receptacles compatible with NEMA 5-15 Plugs)

Customer must connect to a ground GFIC junction box with a 110V power source, and proper current rating (“Amps”), near the umbrella (see FIG F).

FIG F

Configuration Male/Female	Voltage	Amperage	Wires	Poles
 NEMA 5-15	125V AC	15 amps	3 Wires	2 Poles

220V Lighting Specifications:

1. 220V, 2 phase (requires a minimum 10 amp circuit)
2. Titanium Color Housing
3. Each light is independently adjustable (tilts and rotates)
4. LED bulb lamps are NOT supplied.
Recommended LED 7W GU10 MR16 Flood (40 degree) 2700K CC
5. Umbrella comes with 10ft Power Cord & Plug (Use with 10 - 15 Amp, 220-volt, NEMA 6-15 Receptacles compatible with: NEMA 6-15 Plugs)

Global headquarters

2900 NW 35th Street t 305.634.5116
Miami, FL 33142 USA f 305.634.5119
Version date: 06/11/2014 - REV:A - Page 5 of 6

info@tuuci.com
www.tuuci.com



OPERATING INSTRUCTIONS

OCEAN MASTER MAX AND PLANTATION MAX HEATING AND LIGHTING

Customer must connect to a ground GFCI junction box with a 220V power source, and proper current rating “Amps”, near the umbrella (see FIG G).

FIG G



220V Heating Specifications:

1. All heaters are 1400 watts each (1500W@240V)
2. Voltage requirement: 220V, 1 (SINGLE) PHASE INPUT
3. Amperage: 2-Heaters Configuration: 15 Amps
 4-Heaters Configuration: 30 Amps
4. Please see Heater cut (specification) sheet for more technical info
5. All heaters meet UL 1278, UL 2021, UL 875, & UL834 standards
6. Black or White Color options
7. Umbrella comes with 10ft Power Cord & Plug (Use with 15 Amp, 220-volt, NEMA 6-15 Receptacles compatible with: NEMA 6-15 Plugs)

Customer must connect to a ground GFCI junction box with a 220V (input range of 208-240V) power source for Heating and proper current rating “Amps”, near the umbrella (see FIG H).

FIG H



WARNINGS & SAFETY INSTRUCTIONS

1. READ AND UNDERSTAND ENTIRE OWNER'S MANUAL BEFORE ASSEMBLING OR OPERATING UMBRELLA.
2. READ AND UNDERSTAND THE WARNINGS POSTED ON THE UMBRELLA AND/OR COMPONENTS INSTALLED ON THE UMBRELLA.
3. DISCONNECT ELECTRICAL POWER TO UMBRELLA DURING INCLEMENT WEATHER.
4. TEST ELECTRICAL FUNCTIONING OF LIGHTS AND HEATERS BEFORE EACH USE.
5. THERE IS A RISK OF FIRE IF HEATERS CONTACT FLAMMABLE MATERIALS OR LIQUIDS.
6. KEEP CHILDREN AWAY FROM POWER CORDS ON OR AROUND UMBRELLA.
7. DISCONNECT POWER BEFORE REMOVING OR SERVICING UMBRELLA.
8. ALLOW SUFFICIENT COOLING OF HEATERS BEFORE CLOSING UMBRELLA.
9. BEFORE CLOSING UMBRELLA SWING HEATERS INWARD TO ALLOW ADEQUATE CLEARANCE.
10. DO NOT USE THIS UMBRELLA FOR OTHER THAN ITS INTENDED USE.
11. REPLACE WARNING LABELS IF THEY BECOME OBSCURED OR REMOVED.
12. MAKE SURE THE UMBRELLA IS PROPERLY GROUNDED IF THERE ARE ANY ELECTRICAL DEVICES INSTALLED SUCH AS HEATERS OR LIGHTS.
13. PROVIDE FOR ADEQUATE SPACE TO OPEN AND CLOSE UMBRELLA WITHOUT OBSTRUCTIONS.
14. THE ELECTRICAL CONNECTIONS FOR THE MOUNTED DEVICES ON THIS UMBRELLA, IF ANY, ARE TO BE INSTALLED/CONNECTED BY A CERTIFIED ELECTRICIAN. CHECK LOCAL CODES FOR GUIDANCE.
15. WHEN CLOSING/OPENING UMBRELLA KEEP HANDS AND FACE CLEAR OF ALL PINCH POINTS, OR PROTRUDING UMBRELLA COMPONENTS.

Global headquarters

2900 NW 35th Street
Miami, FL 33142 USA

t 305.634.5116
f 305.634.5119

info@tuuci.com
www.tuuci.com

