

premium

full

aluma-crete cube anchors

galvanized steel frame with stone paver

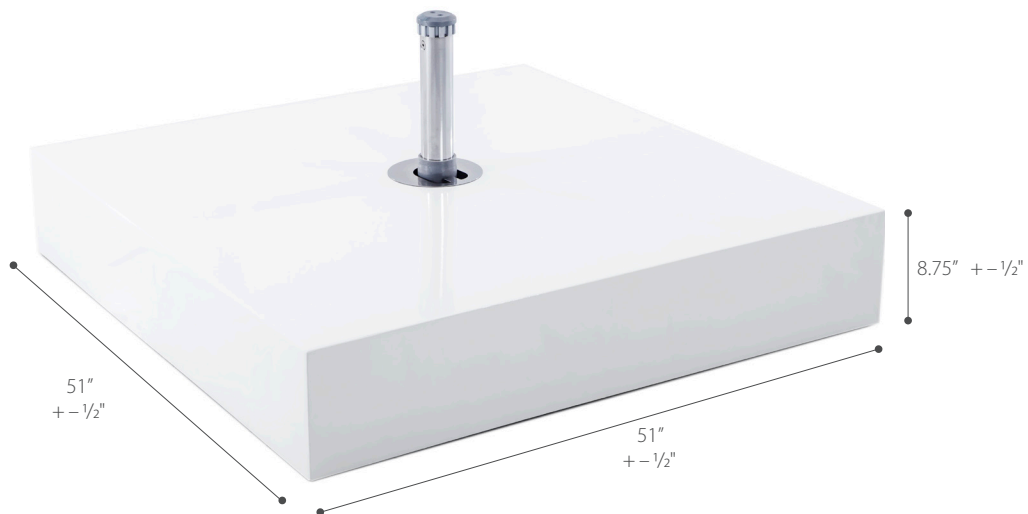
	BASE-AGSP		BASE-AGSP	
	8 pavers		12 pavers	
 <p>pavers / 60 lbs each</p>	480 lbs	218 kgs	720 lbs	327 kgs
 <p>full frame</p>	80 lbs	36 kgs	80 lbs	36 kgs
 <p>full aluma cube cover</p>	20 lbs	9 kgs	20 lbs	9 kgs
<p>Total base weight tolerance + - 10 lbs.</p>	580 lbs	263 kgs	820 lbs	372 kgs

available in powdercoat:



white

silver



length x width x height

in.

cm.

51 x 51 x 8.75 / 129.5 x 129.5 x 22.2